



# Humidifier Hub

## ADDRESS

13, Sattva Complex,  
Near Govardhan Party plot  
Thaltej, Ahmedabad (IN)  
Pin:380059

## CONTACT

**Kashyap Dave**

Business Development

E: [info@humidifierhub.com](mailto:info@humidifierhub.com)

M: +91- 999-887-1196

M: +91-910-603-8516

[www](http://www.humidifierhub.com)

[in](https://www.linkedin.com/company/humidifierhub)

[t](https://twitter.com/humidifierhub)

[f](https://www.facebook.com/humidifierhub)

[humidifierhub.com](http://humidifierhub.com)

[linkedin.com/company/humidifierhub](https://www.linkedin.com/company/humidifierhub)

[@humidifierhub](https://twitter.com/humidifierhub)

[facebook/humidifierhub](https://www.facebook.com/humidifierhub)

# WHO WE ARE

## We are Passionate About Building Tools for the industries

The humidifier Hub has been the world's leading manufacturer of commercial and industrial humidification and evaporative cooling products for more than 10 years. With sales operations in 13 countries and distributors in all over world, Humidifier Hub sets industry standards with regard to energy efficiency and hygienic solutions



## WHAT WE DO

We are the leading manufacturer of commercial and industrial humidification, For over 10 years, customers have trusted Humidifier Hub industrial humidification systems and dry fog industrial humidifier systems to help them lower costs, protect their products, and provide precisely, even humidity control for their operations.

Industrial humidifiers are used when a specific humidity level must be maintained to prevent static electricity buildup, preserve material properties, and ensure a comfortable and healthy environment for workers or residents.

We have

**100+** Satisfied Customers,  
we have to aim high and try to deliver!



**10 Years  
Experience**

## HOW WE HELP YOU

**Our aim is to help clients achieve their goals with humidity control system that exceed their expectations.**

We love long-term relationships, and want to help you optimise the potential from digital propositions in today's world - delivering solutions that are built on a solid foundation on technical expertise, customer service and simple honesty.

# What Is Industrial Humidifier System?

## Commercial and Industrial Humidity Control Systems

Humidification is the artificial regulation of humidity in environments. When the atmosphere becomes too dry, moisture is drawn from surrounding materials within the environment such as furniture, paper, textiles, fruit, animals and even people. Low relative humidity is not only uncomfortable, it can be damaging to equipment and materials. It also causes static electricity to generate which in turn produces unpleasant effects in many cases. Sealpump humidification systems solve these problems efficiently and reliably, and have low maintenance and operating costs.

## Where does it Help?

**Industrial Humidifier System maintains Humidity and Temperature in your plant.**

Static problems are prevalent in industries such as packaging, cold storage, printing, paper, plastics, textiles, electronics, automotive manufacturing, and pharmaceuticals.

### Industry

- Aerospace Manufacturing
- Automotive Manufacturing
- Coatings
- Composites
- Electronics Manufacturing
- Furniture / Flooring
- Laboratories
- Wind Energy Manufacturing
- Woodworking
- Medical Device Manufacturing
- Musical Instruments
- Packaging
- Paint Spray Booths
- Pharmaceuticals
- Printing Facilities
- Pulp & Paper
- Textile Manufacturing
- Tobacco Production

### Human Health

- Allergies
- Eyes and Skin
- Home Humidification
- Hospitals & Care Facilities
- Germ Reduction
- Hotels & Spas
- Hot Yoga Studios
- Immune Systems
- Medical Marijuana
- Schools & Institutions

### Buildings

- Art Galleries
- Call Centers
- Concert Halls
- Convention Centers
- Data Centers
- Greenhouses
- Museums
- Veterinary Clinics
- Yoga Studios

### Food & Beverage

- Bakeries
- Cheese Curing
- Cold Storage
- Crop Storage
- Egg Incubators
- Grocery Stores
- Meat Industry
- Mushroom Growing

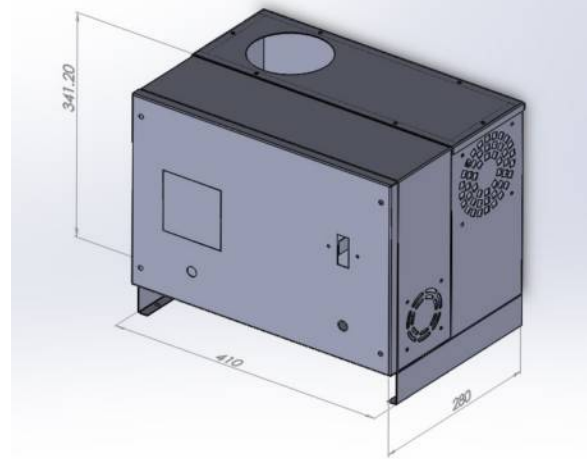
### Applications

- Dust Suppression
- Electro Static Discharge (ESD)
- Evaporative Cooling
- In-Duct Evaporative Cooling

# Our Innovative Solution

## Industrial Humidifier System

Industrial humidifiers are used when a specific humidity level must be maintained to prevent static electricity buildup, preserve material properties, and ensure a comfortable and healthy environment for workers or residents.



## Specification

### Brand

Model

Evaporation

Power (Watts)

Water Level Control

Humidity Control & Display

Voltage

Body

Working Temp

Air Volume

Weight

Dimension(mm) (H\*L\*W)

### Humidifierhub

**UHF05**

5 / 10

300 /600

Automatic

Up to 99% RH- Digital

230V , 50 Hz

S.S body

5 to 45 Deg C

350 M3/hr

12 kg /16 kg

341.20\*410\*280

### Humidifierhub

**UHF10**

15 / 15

900 /1200

Automatic

Up to 99% RH- Digital

230V , 50 Hz

S.S body

5 to 45 Deg C

550 M3/hr

24 kg /16 kg

341.20\*410\*280

## Features

- Environment-friendly
- Low weight
- Low power consumption
- Easy maintained
- Portable
- Recyclable
- Low cost
- Easy installation

## Where to use?

- Chemical industry
- Packaging industry
- Data center
- Petrochemical industry
- Tobacco industry
- Pharmaceuticals industry
- Printing industry
- Tea production industry
- Textiles industry
- Cold storage
- Laboratories
- Medical device manufacturing
- Cashew and dry fruits industry
- Explosive manufacturing
- Automotive manufacturing industry
- Hospital
- Paper and pulp production industry
- Food and beverage



## Products **Inquiry**

📍 13, Sattva Complex,  
Near Goverdhan Party Plot,  
Thaltej, Ahmedabad  
Gujarat: 380013 (IN)

@ [Info@humidifierhub.com](mailto:Info@humidifierhub.com)

☎ +91-999-887-1196 / +91-910-603-8516

🌐 [humidifierhub.com](http://humidifierhub.com)

